

# Specification ASR100

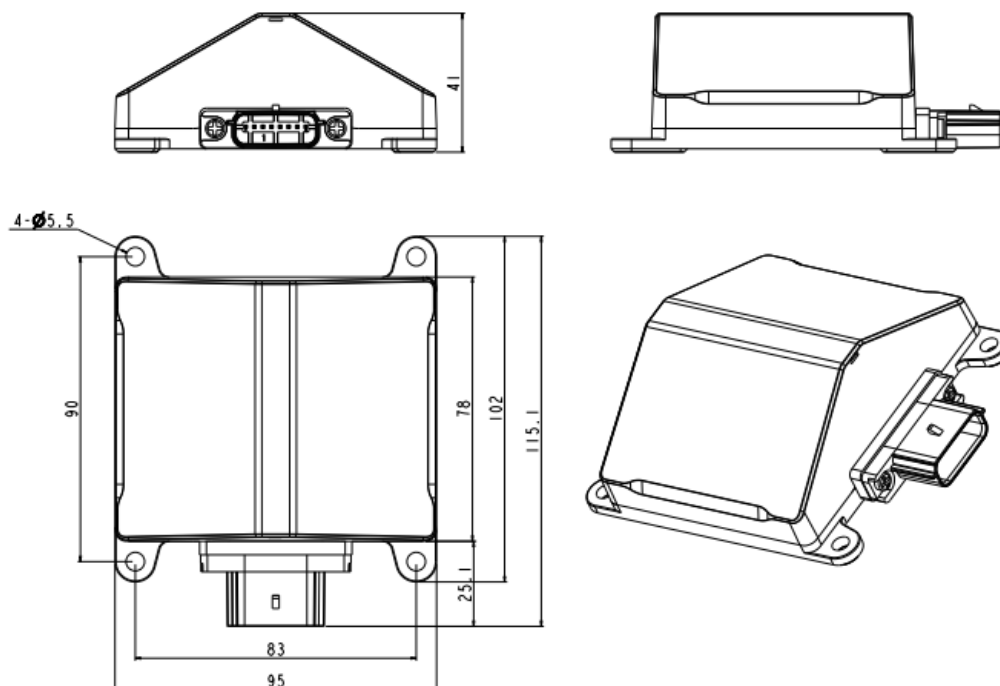


Figure 1-2 ASR100 dimensions

## Performance parameters:

working frequency	76-77GHz	
Maximum detection range	±80 m (vehicle) ±40 m (pedestrian/bicycle)	
working mode	slow speed	High speed
minimum detection range	0.25m	0.9m
distance resolution	0.31 m	0.96 m
distance accuracy	±0.16m	±0.5m
speed range	±60km/h	±150km/h
speed accuracy	±0.43km/h	
speed resolution	0.86km/h	
horizontal angle	180°	
angular accuracy	±0.8°	

## General parameters:

size	115mm x 95mm x 41mm
weight	2.30g
power consumption	6.5W
communication interface	CAN2.0, CAN FD

operating voltage _	8V - 32V; Passenger car 12V , Commercial vehicle 24V
operating temperature	-40°C ~ 85°C
storage temperature	-40°C~105°C
installation angle redundancy	-2°~2°
protection rating _	IP69K
operating cycle	60ms